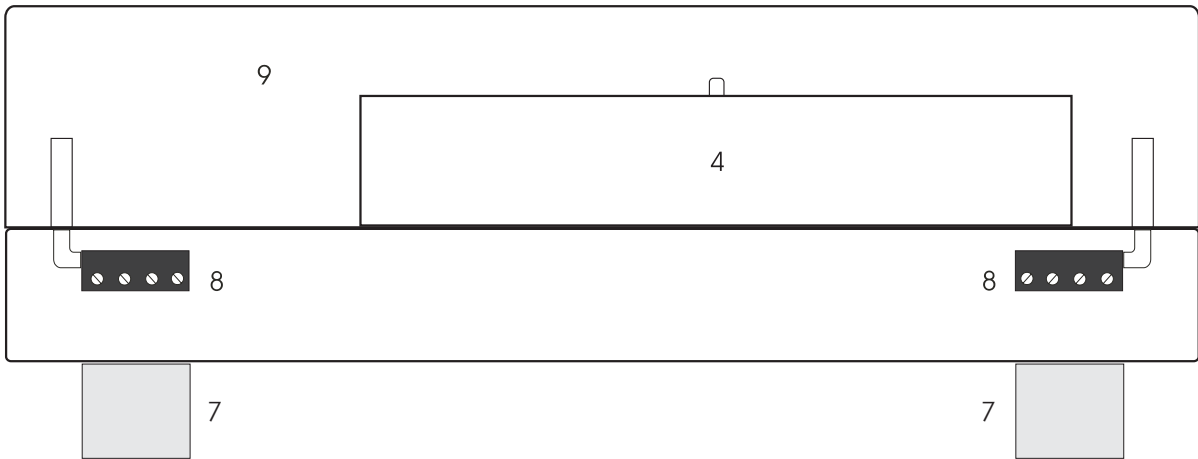
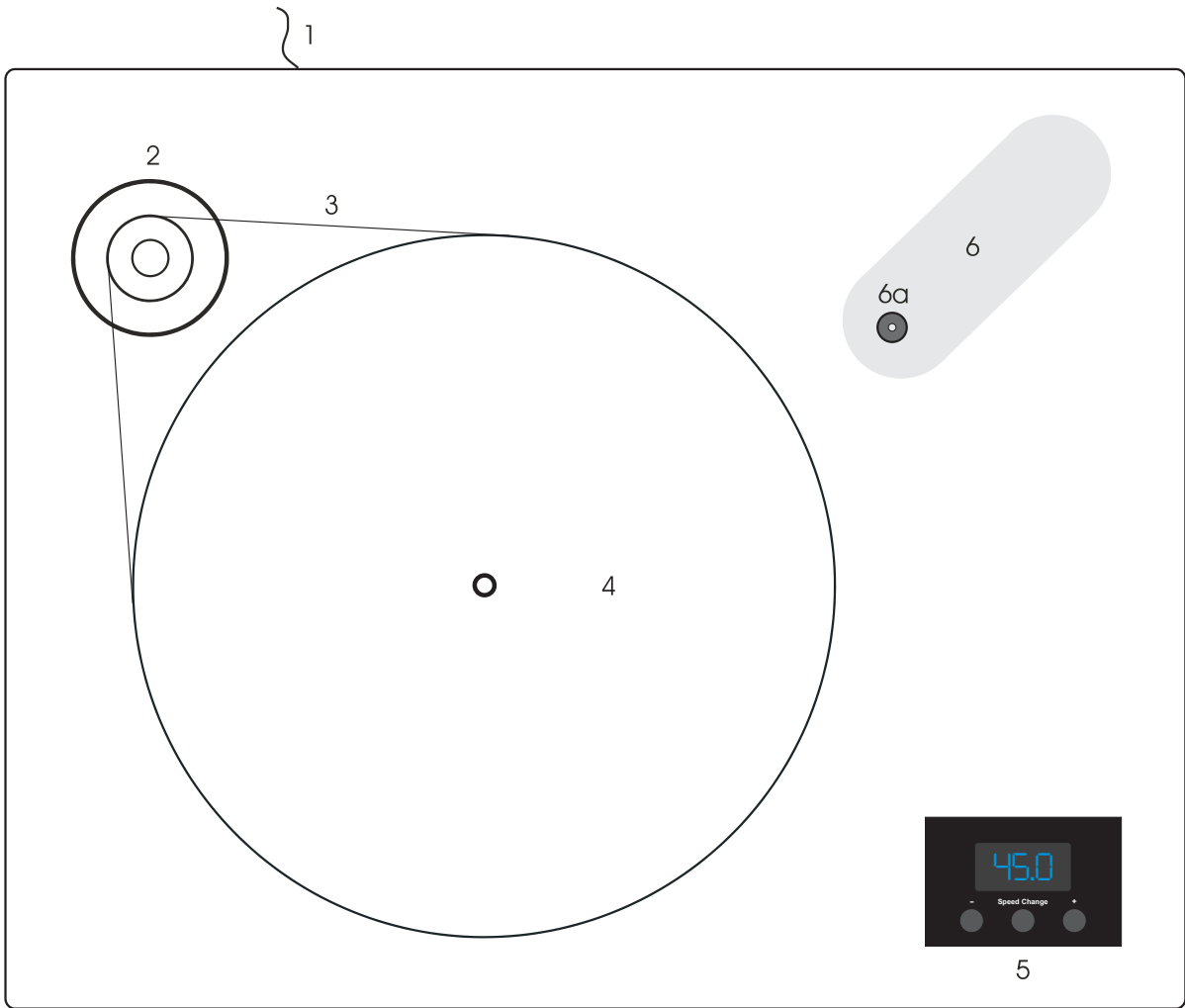


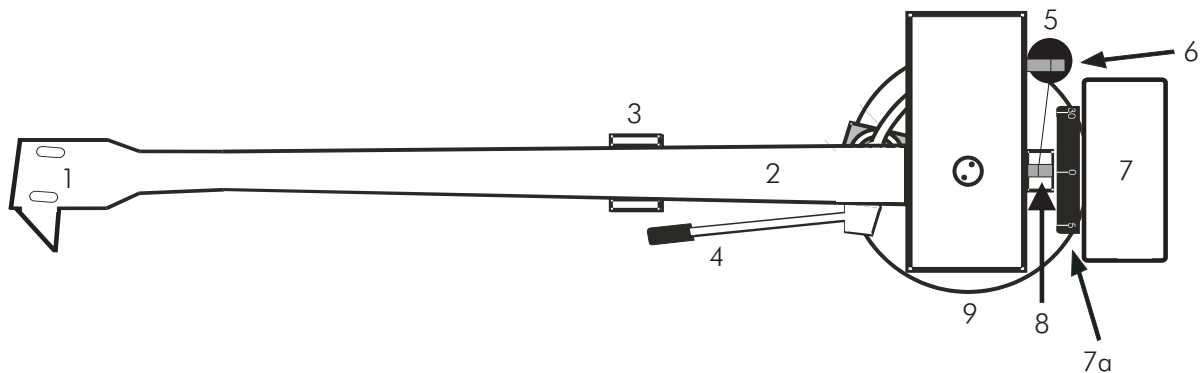


INSTRUCTIONS FOR USE  
Pro-Ject **X**tension





## Pro-Ject Evolution tonearms



- 1 Headshell with finger lift
- 2 Tonearm tube
- 3 Tonearm rest and removable transport lock
- 4 Tonearm lift lever
- 5 Anti-skating weight \*
- 6 Anti-skating weight wire support
- 7 Tonearm counterweight \* 7a Downforce scale
- 8 Anti-skating weight adjustment scale
- 9 Tonearm base

### Cartridge downforce adjustment

Remove the transport lock (3) from the tonearm. Store it in the original packaging so they are available for any future transportation.

Pushing carefully, turn the counterweight (7) onto the rear end of the tonearm tube (2), and so that the downforce scale (7a) shows towards the front of the player. Lower the armlift and position the cartridge in the space between arm rest and platter. Carefully rotate the counterweight (7) until the armtube balances out. The arm should return to the balanced position if it is moved up or down. Do not forget to remove the cartridge protection cap if fitted.

Once the arm is correctly balanced return it to the rest (3). Hold the counterweight (7) without moving it, and gently revolve the downforce scale ring (7a) until the zero is in line with the anti-skating prong (8). Check whether the arm still balances out.

Rotate the counterweight counter clockwise (seen from the front) to adjust the downforce according to the cartridge manufacturer's recommendations. One mark on the scale represents 1 mN (= 0,1g / 0,1 Pond) of downforce.

**Tonearm Pro-Ject 9cc Evolution:** The counterweights (7) supplied are suitable for cartridges weighing between 5 - 7,5g, 7 - 10g, 9 - 11g or 10 - 14g.

**Tonearm Pro-Ject 12cc Evolution:** The counterweights (7) supplied are suitable for cartridges weighing between 4 - 7g, 6 - 9g, 8 - 12g oder 10 - 15g.

**Adjust the downforce prior to installing the anti-skating weight.**

## Adjusting the azimuth

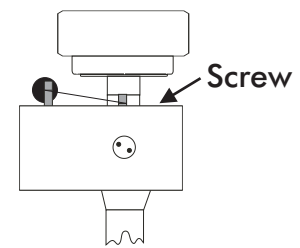
The cartridge needle must be vertical in the record groove in order to trace the groove wall modulations correctly.

A small screw at the bearing end of the arm allows incorrect azimuth to be corrected if your needle is not mounted exactly perpendicular to the cartridge body (which is often the case).

Slacken off the screw just enough to be able to revolve the arm tube without applying force. Note! Do not remove the screw completely!

With the aid of a good magnifying glass adjust the needle until it is vertical in the groove (i.e. perpendicular to the record's surface). Ideally this should correspond to the top surface of the cartridge body being parallel to the record surface, but in practice this is often not the case.

When you are satisfied that the needle is vertical retighten the screw carefully.

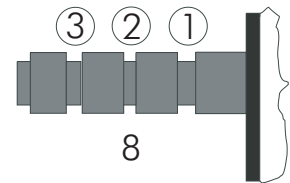


*Under no circumstances should the arm tube be adjusted with the needle still in the record groove! Irreparable damage may be caused to the cantilever suspension! The arm must be lifted to make each adjustment and lowered afterwards to check it.*

## Anti-skating force adjustment

The anti-skating force must be adjusted corresponding to the downforce as follows:

<u>Downforce</u>	<u>Groove in the stub (15)</u>
10 - 14mN	1 <sup>st</sup> from bearing rings
15 - 19mN	2 <sup>nd</sup> " " "
20mN and bigger	3 <sup>rd</sup> " " "



Hang the loop of the thread of the anti-skating weight in the groove of the anti-skating stub (15) corresponding to the downforce applied to your cartridge and hang the thread in the groove of the wire support (17).

## Adjusting the vertical tracking angle -vta-

Put a record on the platter. When the needle is lowered into the record groove and the tonearm is not resting on the tonearm rest (3), the tube (2) of the tonearm should be parallel to the surface of the record.

If it is not loosen both hexagon screws in the tonearm base (9) just enough to allow vertical movement of the arm pillar without force and slide the arm up or down until it is parallel.

Carefully retighten the hexagon screws without applying excessive force (which would deform the arm pillar) – finger tight is quite sufficient.

## Fitting and connecting the cartridge

All cartridges with half inch mounting holes can be fitted. Leaving the needle's protection cover on, fit the cartridge to the headshell using the screws supplied with the cartridge by passing one screw through each slot in the headshell (1). Do not tighten the nuts yet.

Connect the tonearm wires to the cartridge pins as follows:

white	left channel positive (L+)
red	right channel pos. (R+)
green	right channel return (R -)
blue	left channel return (L -)

The full sound quality of the record player can only be achieved if the cartridge is correctly adjusted. Particular tools like the PRO-JECT alignment tool are required to accomplish this job properly. If you are not well acquainted with the adjustment of cartridges you are advised to call upon the willing help of your PRO-JECT dealer to accomplish this task for you.



*Please note: adjusting a cartridge and tonearm calls for the greatest care in order to avoid damaging the cartridge or tonearm bearings. Leave this work to your dealer if you are in any way unsure of the necessary steps and precautions to be taken.*

## Connection to the amplifier

Connect the tonearm cables to the Phono input (sometimes labelled gram, disc or RIAA) on your amplifier. Make sure that the phono input offers correct matching and amplification for the type of cartridge used. Line inputs (such as CD, Tuner, Tape or Video) are not suitable.

Take care to connect the left and right channels correctly. The right channel is usually marked red, the left channel black or white. Check the manual supplied with your amplifier for relevant information. An earthing wire may be connected to the screw terminal between the sockets if you encounter hum problems when using the record player.

If your amplifier does not have an input suitable for phono cartridges you will require a separate phono amplifier stage for MM or MC cartridges such as the PRO-JECT PHONO BOX or the PRO-JECT TUBE BOX which is then connected between the record player and a free line level input of the amplifier.

For detailed product information please refer to the Pro-Ject web site [www.project-audio.com](http://www.project-audio.com).

## Mains power connection

The turntable is supplied with a power supply suitable for your country's mains supply. Check the label before connecting to ensure compliance with the mains rating in your house.

Connect the low voltage plug from the power supply to the socket (1) on the rear of the record player before connecting the power supply to the mains.

## Fitting the lid

Fit the lid (dust cover 9) carefully over the hinge prongs and adjust the screws (8) until the lid stays open where you want it to without being too stiff to open or close.

## Starting the motor, Stand By

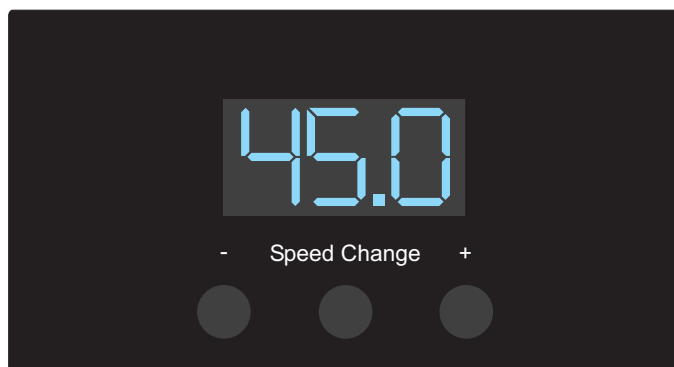
Pressing the button **Speed Change** will switch on the player from stand by. Press and hold the button **Speed Change** to put the unit into stand by.

## Changing replay speed

The belt must be on the smaller (50Hz models) larger (60Hz models) diameter part of the motor pulley.

Press the button **Speed Change** to switch between 33 and 45 r.p.m.. The selected speed will be displayed digitally.

To replay records at 78 r.p.m. perform the following steps: Remove the pulley cover. Using the tool (3a), fit the belt (3) around the larger (50Hz models, for 60Hz models the smaller diameter has to be used) diameter step of the pulley (2). Start the turntable by pressing the button **Speed Change** and switch the speed to 45 r.p.m., the platter will then revolve at 78 r.p.m.. The display still shows 45 r.p.m..



## Pitch control

Repeatedly pressing the + or - buttons increases or decreases the replay speed in twenty steps of 0,1 r.p.m. respectively. The adjusted speed is displayed digitally.

## Maintenance and cleaning

Your record player requires little or no regular maintenance. Remove dust with the supplied antistatic cloth. It is recommended to fit the needle cover before cleaning or maintenance is carried out to avoid damage.

If the player is not used over a long period of time the drive belt can be removed to prevent unequal stretching.



*Always disconnect the record player from the mains power supply as a precaution before maintenance!*

## Useful tips

The base and the record player should be positioned on a low-resonance surface such as wood or multiple layer ply board to avoid structural vibrations disturbing replay.

## Technical specifications PRO-JECT Xtension

* Electronic speed change	* 33,33/* 45,11 and 78 r.p.m.
Speed variance	±0,09 %
Wow and flutter	±0,01 %
Signal to noise	-73dB
Power consumption	2W
Outboard power supply	16V/1.000mA AC, suitable for your country's mains supply
Dimensions (W x H x D)	550 x 250 x 450mm, dust cover open 550 x 550 x 560mm
Weight	20kg

## Technical specifications Pro-Ject 9cc Evolution

Tonearm	medium mass
Supplied counterweights	cartridge weight 5 - 7,5g, 7 - 10g, 9 - 11g or 10 - 14g
Downforce range	10 - 35mN
Effective tonearm length	9 " (230mm)
Overhang	18mm
Tonearm cable length	approx. 120cm
Weight	265g (without counterweight)

## Technical specifications Pro-Ject 12cc Evolution

Tonearm	medium mass
Supplied counterweights	cartridge weight 4 - 7g, 6 - 9g, 8 - 12g or 10 - 15g
Downforce range	10 - 35mN
Effective tonearm length	12 " (304,8mm)
Overhang	13,2mm
Tonearm cable length	approx. 120cm
Weight	271g (without counterweight)

## Potential incorrect use and fault conditions

PRO-JECT turntables are manufactured to the highest standards and undergo strict quality controls before leaving the factory. Faults that may possibly occur are not necessarily due to material or production faults but can sometimes be caused by incorrect use or unfortunate circumstances. Therefore the following list of common fault symptoms is included.

### The platter doesn't turn although the unit is switched on:

- The unit is not connected to the mains power supply.
- No mains at the socket.
- Drive belt is not fitted or has slipped off.

### No signal through one or other channel or both channels:

- No signal contact from the cartridge to the internal tonearm wiring or from that to the arm lead or from that to the phono box or between that and the amplifier. This could be due to a faulty plug, broken wire or solder joint or simply loose plug/socket connection.
- Phono input not selected at amplifier.
- Amplifier not switched on.
- Amplifier or speakers defective or muted.
- No connection to the loudspeakers.

### Strong hum on phono input:

- No earth connection from cartridge or arm or arm cable to amplifier, or earth loop.

### Distorted or inconsistent sound from one or both channels:

- Record player is connected to wrong input of amplifier, or MM/MC switch incorrectly set.
- Needle or cantilever damaged.
- Wrong r.p.m., drive belt overstretched or dirty, platter bearing without oil, dirty or damaged.

## Service

Should you encounter a problem which you are not able to alleviate or identify despite the above information, please contact your dealer for further advice. Only when the problem cannot be resolved there should the unit be sent to the responsible distributor in your country.

Guarantee repairs will only be effected if the unit is returned correctly packaged. For this reason we recommend keeping the original packaging.

Never return a record player without making sure that it is safely disassembled and correctly packaged in the original packaging according to the supplied diagram. Please remove these parts and pack them separately: feet, counterweight, platter, cartridge and belt. Fit the cartridge protection cap. Insert the transport lock for the tonearm prior to carefully packaging the record player.

## Warranty



*The manufacturer accepts no responsibility for damage caused by not adhering to these instructions for use and/or by transportation without the original packaging. Modification or change to any part of the product by unauthorized persons release the manufacturer from any liability over and above the lawful rights of the customer.*

PRO-JECT is a Registered Trademark of H. Lichtenegger.

This guide was produced by: Audio Trade GmbH  
Copyright © 2008. All rights reserved.

The information was correct at the time of going to press. The manufacturer reserves the right to make changes to the technical specification without prior notice as deemed necessary to uphold the ongoing process of technical development.